

## ● Part Number Guide

T-V-S-FF.FFFM-FS -OT -OP-TU-S

T(Type 型号): Q=FULL SIZE (14PIN) OSCILLATOR

V(Input Voltage 输入电压): 3.3=3.3V 5=5.0V, etc

S(Symmetry 占空比): 5=45/55max 6=40/60 max

F(Frequency 标称频率)

FS(Frequency Stability 频率稳定性): 50=±50ppm, etc

OT(Operating Temperature 工作温度): 0070=10°C to +70°C 3080=-30°C to +80°C, etc

OP(Out put 输出): 1=15PF HCMOS 2=10TTL 3=30PF 4=50PF 5=10TTL/15PF

TU(Tube 摆管)

S(Special Requirement 特殊要求)

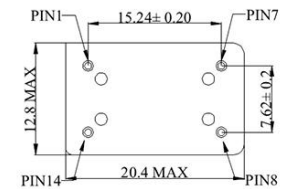
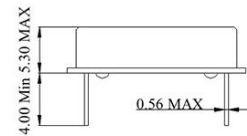


## ● Electrical Specifications 电气参数

型号	Holder Type	FULL SIZE OSCILLATOR
频率范围	Frequency Range	32.768KHz to 125.000MHz
总频差	Frequency Stability	±25ppm to ±50ppm
输入电压	Supply Voltage	5.0V or 3.3V ±10%
工作温度范围	Operating Temperature Range	-10°C ~ +60°C to -40°C ~ +85°C
储存温度范围	Storage Temperature Range	-40°C ~ +85°C / -55°C ~ +125°C
占空比	Symmetry (Duty Cycle)	40/60 Standard
输出	Output Load 5.0V	10 TTL or 15pF HCMOS
	Output Load 3.3V	10 TTL or 15pF HCMOS
消耗电流	Current Consumption (15pf only)	1.000MHz-36.000MHz=25mA max
		36.000MHz-70.000MHz=60mA max
	Current Consumption (15pf only)	70.000MHz-100.000MHz=80mA max
		1.000MHz-36.000MHz=20mA max
Current Consumption (15pf only)	36.000MHz-70.000MHz=40mA max	
	70.000MHz-100.000MHz=60mA max	
上升/下降时间	Rise/Fall Time	10nS max

## ● Mechanical Dimensions 外型尺寸

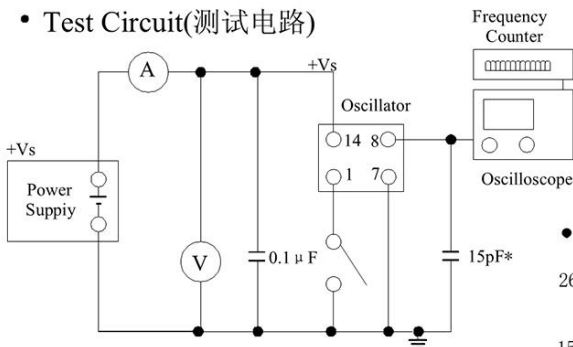
UNIT(单位): mm (毫米)



### Pin Connection

PIN	FUNCTION
1	N/C Tri-state
2	Ground
3	Output
4	Vdd

### ● Test Circuit(测试电路)



### ● Reflow Condition 回流焊条件

