

## ●Part Number Guide

T-V-S-FF.FFFM-FS -OT -OP-TU-S

T(Type 型号): VC= 5032 VCXO

V(Input Voltage 输入电压): 3.3=3.3V 5=5.0V, etc

S(Symmetry 占空比): 5=45/55max 6=40/60 max

F(Frequency 标称频率): 27.000MHz

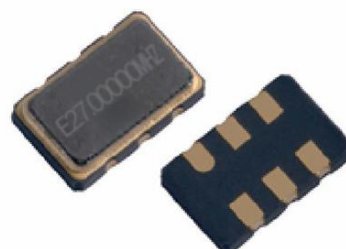
FS(Frequency Stability 频率稳定性): 15=±15ppm, etc

OT(Operating Temperature 工作温度): A=-20°C to +70°C B=-55°C to +125°C, etc

OP(Out put 输出): 2=15PF CMOS 3=50PF CMOS

TU(Tube 摆管)

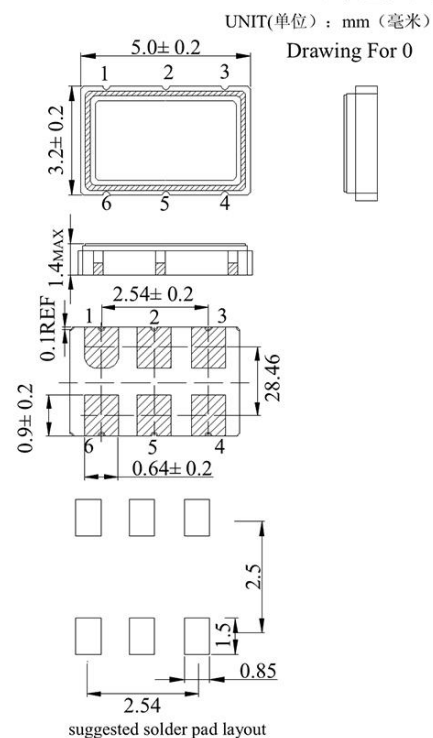
S(Special Requirement 特殊要求)



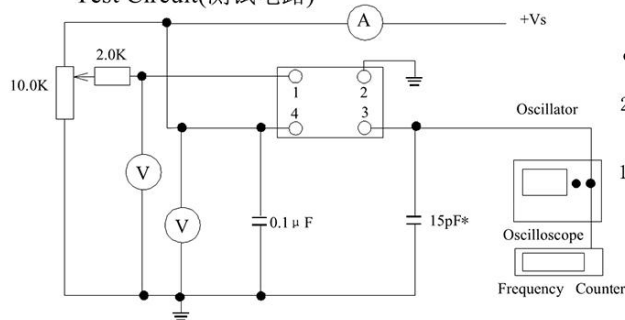
## ●Electrical Specifications 电气参数

型号	Holder Type	VC5032
频率范围	Frequency Range	1.544MHz to 35.328MHz
频率偏差	Initial Frequency Tolerance @25°C	±25.0ppm
频率稳定度	Frequency Stability	±15.0ppm
老化率	Aging 1 Year	±5.0ppm
输入电压	Input Voltage	5.0±10% V
输入电流	Input Current	40mA Max
占空比	Symmetry (Duty Cycle)	40 - 60
上升时间	Rise Time	9max nS
下降时间	Fall Time	8max nS
高电平	Logic "1" Level	4.5Min V
低电平	Logic "0" Level	0.5Max V
开始时间	Output Type	10Max ms
控制电压	Control Voltage	0.5 - 4.5 V
相位噪声	Phase Noise (Typical)	<u>10Hz 100Hz 1KHz 10KHz 100KHz</u> dBc/Hz -70 -95 -120 -145 -150

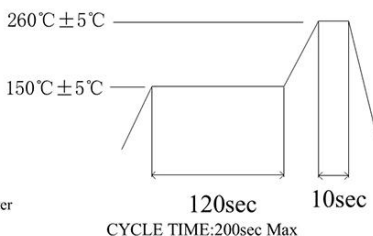
## ● Mechanical Dimensions 外型尺寸



### ● Test Circuit(测试电路)



### ● Reflow Condition 回流焊条件



PIN	FUNCTION
1	Voltage control
2	Tristate or NC
3	GND
4	Output
5	N/C Tri-state
6	Vdd

## E/D 功能说明

#2 或#5	#4
高电平 (70% VDD Min.) 或开路	起振
低电平 (70% VDD Max.) 或接地	高阻态

