

●Part Number Guide

T-V-S-FF.FFFM-FS -OT -OP-TU-S

T(Type 型号): TC=20 TCXO

V(Input Voltage 输入电压): 3.3=3.3V 5=5.0V,etc

S(Symmetry 占空比): 5=45/55max 6=40/60 max

F(Frequency 标称频率) 10.000MHz

FS(Frequency Stability 频率稳定性): 0.5=±0.5ppm, etc

OT(Operating Temperature 工作温度):A=-20°C to +70°C B=-40°C to +85°C, etc

OP(Out put 输出):1=15PF TTL 3=15PF CMOS 4=50PF CMOS G=正弦波

TU(Tube 摆管)

S(Special Requirement 特殊要求)

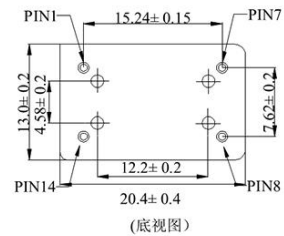
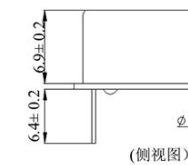


●Electrical Specifications 电气参数

型号	Holder Type	TC20	
频率范围	Frequency Range	1.000MHz to 160.000MHz	
总频差	Frequency Stability	±1.0ppm	
输入电压	Supply Voltage	5.0V or 3.3V ±10%	
工作温度范围	Operating Temperature Range	-10°C~+60°C to -40°C~+85°C	
储存温度范围	Storage Temperature Range	-55°C~+125°C	
占空比	Symmetry (Duty Cycle)	40/60 Standard	
输出	Output Load 5.0V	15pF TTL or 15pF CMOS	
	Output Load 3.3V	50pF CMOS	
消耗电流	Current Consumption (15pf only)	1.000MHz-36.000MHz=20mA max	
		(5.0V)	36.000MHz-70.000MHz=30mA max
			70.000MHz-100.000MHz=40mA max
	Current Consumption (15pf only)	1.000MHz-36.000MHz=15mA max	
		(3.3V)	36.000MHz-70.000MHz=25mA max
			70.000MHz-100.000MHz=32mA max
上升/下降时间	Rise/Fall Time	10nS max	

• Mechanical Dimensions 外型尺寸

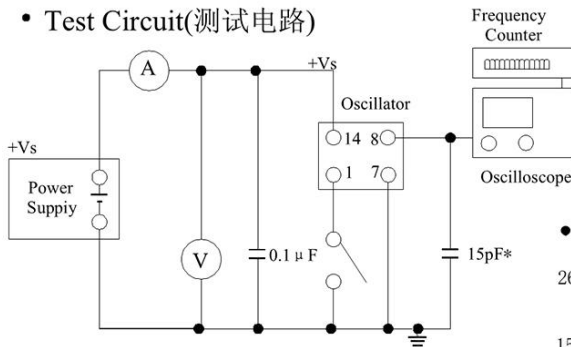
UNIT(单位): mm (毫米)



Pin Connection

PIN	FUNCTION
#1	N/C Tri-state
#7	Ground
#8	Output
#14	Vdd

• Test Circuit(测试电路)



• Reflow Condition 回流焊条件

